

# FlowTek®

A Subsidiary of BRAY INTERNATIONAL, Inc.

## High Pressure 3 Piece Ball Valves Standard Port: 1/4" - 2"



### Triad Series Model HP

Flow-Tek's Triad Series valves are known to be one of the strongest, most robust 3-Piece ball valves in the industry. With advanced seat and seal materials, the Triad rating can be extended to handle service pressures to 5000 psi and a temperature of 550°F.

Triad HP valves feature PEEK seats. Flow-Tek's PEEK material is a blend of Polyetheretherketone, a highly engineered thermoplastic, with carbon and graphite. PEEK offers excellent abrasion and corrosion resistance under continuous exposure to high pressure and high temperature.

All features of the standard Triad Series are present in the Triad HP design including a heavy robust center section tapped for full hex head cap screws, live loaded stem packing, redundant body seals, anti-static protection and locking safety handles.

As with most Flow-Tek valve designs, the Triad HP comes standard with an integrally cast top flange designed for ease of actuator mounting. The Secure Mount provides positive mounting, eliminating unwanted actuator movement during high cycle or continuous duty applications. Actuators and other accessories can be easily and safely removed while the valve is under full line pressure.

#### End Connections

- Threaded
- Socket Weld

# Specifications

## Valve Sizes 1/4" through 2"

Threaded End Connections meet

ASME B1.20.1 NPT.

Socket Weld End Connections meet

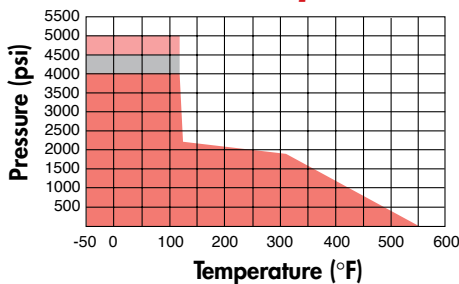
ASME B16.11.

All Triad Series valves are designed to meet ASME B16.34.

Valves meet NACE MR0175.

Valve body and end connections are high quality investment cast and solution annealed/normalized.

## Pressure / Temperature



- 1/4" - 3/4" Valves
- 1" - 1-1/4" Valves
- 1 1/2" - 2" Valves

**Note:** Carbon Steel valves are limited to -20° F.

For a full explanation of valve features and dimensions please see Flow-Tek's Triad Series brochure.

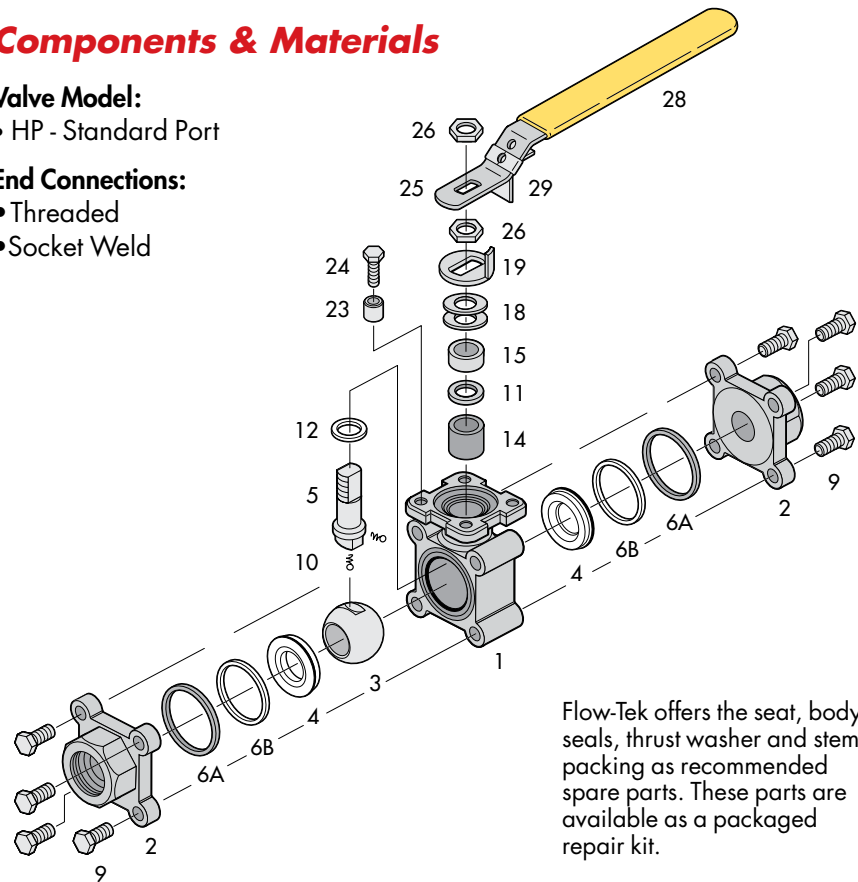
# Components & Materials

## Valve Model:

- HP - Standard Port

## End Connections:

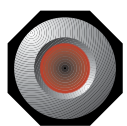
- Threaded
- Socket Weld



Flow-Tek offers the seat, body seals, thrust washer and stem packing as recommended spare parts. These parts are available as a packaged repair kit.

| Item | Name                   | Stainless Steel   | Carbon Steel      | Qty. |
|------|------------------------|-------------------|-------------------|------|
| 1    | Body                   | ASTM A351 Gr CF8M | ASTM A216 Gr WCB  | 1    |
| 2    | End Cap                | ASTM A351 Gr CF8M | ASTM A216 Gr WCB  | 2    |
| 3    | Ball                   | ASTM A351 Gr CF8M | ASTM A351 Gr CF8M | 1    |
| 4    | Seat                   | PEEK              | PEEK              | 2    |
| 5    | Stem                   | ASTM A479 Type316 | ASTM A479 Type316 | 1    |
| 6-A  | Body Seal              | Graphite          | Graphite          | 2    |
| 6-B  | Body Seal              | TFM               | TFM               | 2    |
| 9    | Body Bolt              | ASTM A193 B8      | ASTM A193 B8      | 8 †  |
| 10   | Anti-Static Device     | SS316             | SS316             | 2    |
| 11   | Packing Protector      | PEEK              | PEEK              | 1    |
| 12   | Thrust Washer          | PEEK              | PEEK              | 1    |
| 14   | Stem Packing           | Graphite          | Graphite          | 1    |
| 15   | Packing Gland Sleeve   | SS304             | SS304             | 1    |
| 18   | Belleville Washer      | SS301             | SS301             | 2    |
| 19   | Tab Lock Washer        | SS300             | SS300             | 1    |
| 23   | Travel Stop Set Sleeve | SS304             | SS304             | 1    |
| 24   | Travel Stop Bolt       | SS300             | SS300             | 1    |
| 25   | Handle                 | SS304             | SS304             | 1    |
| 26   | Lock Nut               | SS304             | SS304             | 2    |
| 28   | Handle Sleeve          | Vinyl             | Vinyl             | 1    |
| 29   | Locking Device         | SS304             | SS304             | 1    |

† 12 for 2" HP.



# Flow-Tek®

A Subsidiary of BRAY INTERNATIONAL, Inc.  
 11850 Tanner Road Houston, Texas 77041  
 832.912.2300 Fax: 832.912.2301  
 www.flow-tek.com

All statements, technical information, and recommendations in this bulletin are for general use only. Consult Flow-Tek representatives or factory for the specific requirements and material selection for your intended application. The right to change or modify product design or product without prior notice is reserved.

Flow-Tek® is a registered trademark of Flow-Tek, Inc.  
 © 2007 Flow-Tek, Inc. Triad HP